



APC Controller

A transformer powered Heavy Duty Controller for use with NFWW (flat) and NWRW11 & NWRW16 (round) wire for cutting EPS Foam

Cutting Capabilities	EPS Foam
Construction	Heavy Duty Transformer and Case
Heat Settings	0-100
Off-On Switch	Lighted Toggle
Fuse	7.5 Amp.
Power Requirements	110 Volt
Power Options	220 Volt
Cutting Wire A*	NFWW Flat Wire
Minimum Wire Length 6" — Maximum Wire Length 36"	
Cutting Wire B*	NWRW11 Round Wire
Minimum Wire Length 6" — Maximum Wire Length 36"	
Cutting Wire C*	NWRW16 Round Wire
Minimum Wire Length 12" — Maximum Wire Length 36"	
Cuting Speed	Dependent on length of wire & temperature
Operating Power	10 Volts and 50 Amps
Warranty	6 Months
Shipping Weight	26 Pounds

*When using a short wire, the power supply should be turned off and set at "0". Then turn on the power supply and slowly turn it up to the proper temperature which is just below glowing.

The proper way to set cutting temperature of wire is to turn up the controller until the wire just starts to glow, then turn the controller down until the wire is in the beginning stage of gray color.

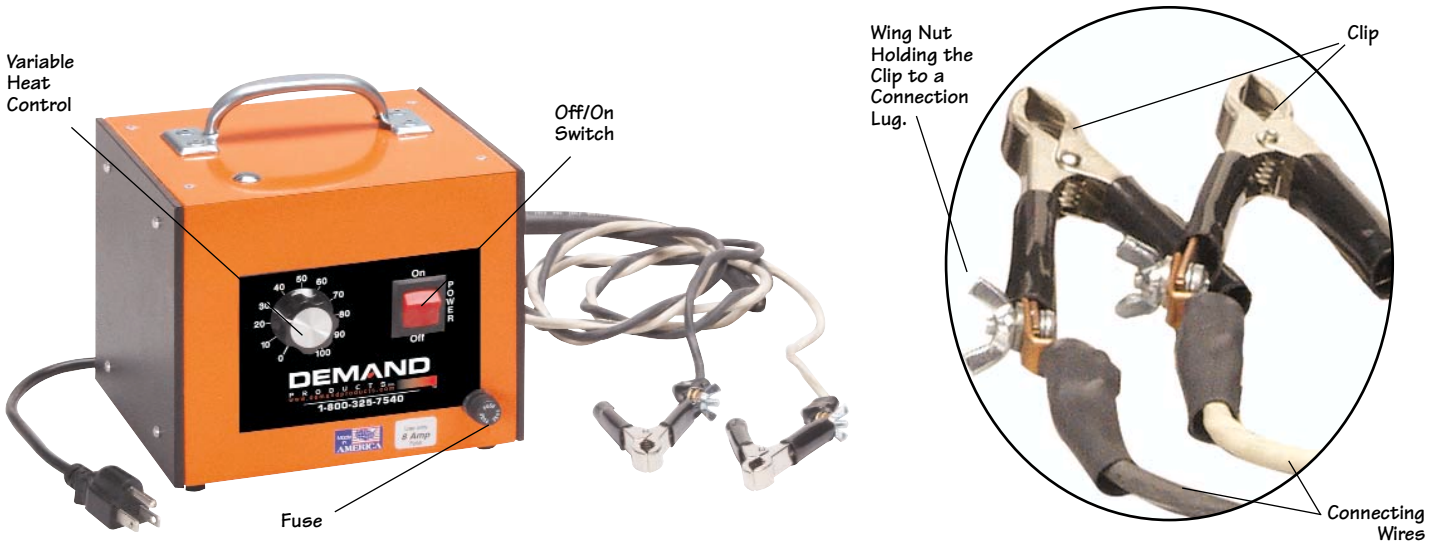
DEMAND
 PRODUCTS INC.
 EIFS • FOAM CUTTING • AAC • SIPs • ICF

1055 Nine North Drive
 Alpharetta, GA 30004 USA
 1-800-325-7540
 Fax 1-888-534-8383

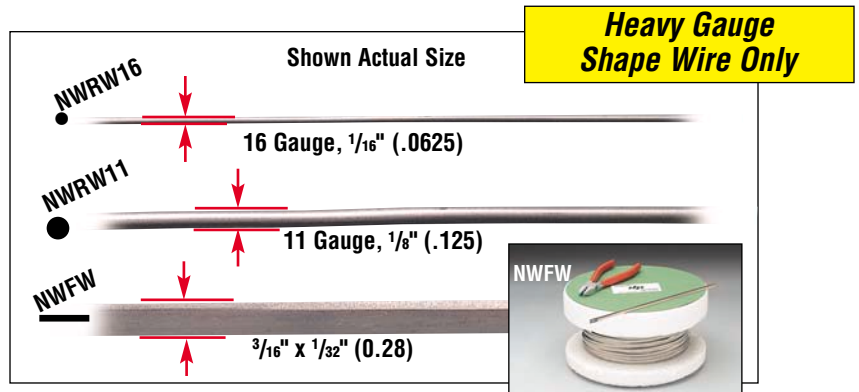
APC Power Controller

The Demand Product's APC Controller is designed to heat 3 main types of wire:
 • 16 Gauge Round Wire • 11 Gauge Round Wire • NWRW Flat Wire

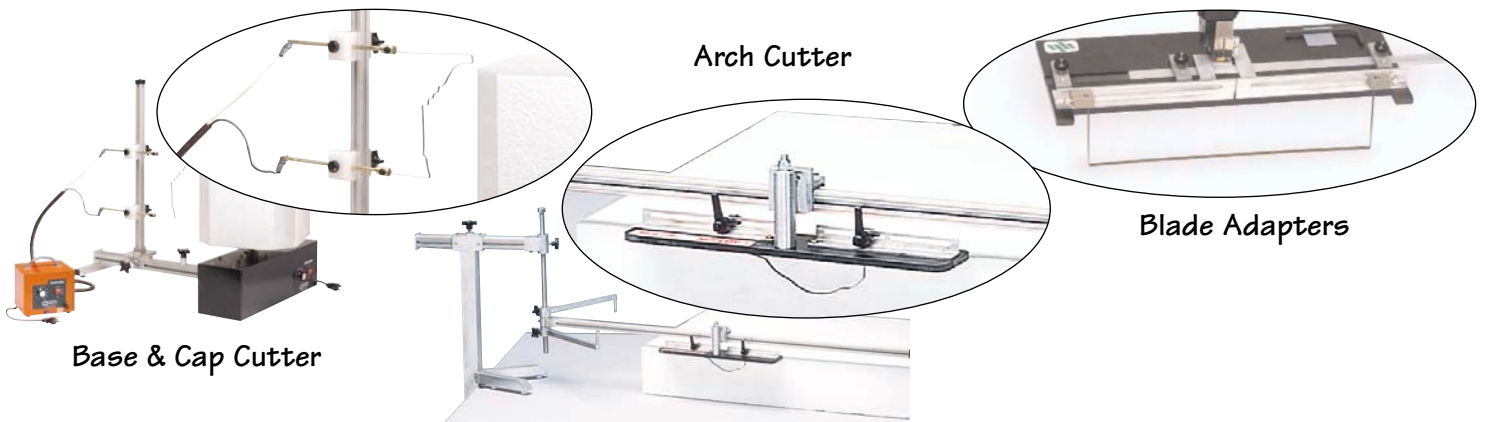
An example of these 3 wires are shown under the picture of the APC Controller



These 3 wires are the only wires that are recommended for use on the APC Controller. Use of any other wire will void the warranty.



The APC Controller is primarily used for operating one of the following products:



APC Power Controller

The Demand Product's APC Controller is designed to heat 3 main types of wire:

- *16 Gauge Round Wire*
- *11 Gauge Round Wire*
- *NWRW Flat Wire*

General Instructions:

- Always turn the power control to "0" before shutting the unit off an/or turning it on.
- Be sure that the 2 leads from the APC never touch each other while the unit is on. This will damage the unit internally.
- Securely tighten the connection leads when attaching the APC to a Foam Cutter.
- If the connection leads must be lengthened, use only #6 welding cable.
- Use only the recommended cutting wires on page 1.
- If an extension cord is used, do not exceed 50 feet long and use #14/3 wire.

Do:

- Always turn the power control to "0" before shutting the unit off an/or turning it on.
- Use a wire that is at least 8" long and no longer that 36".
- Use caution when operating. The wire is hot and will burn you.
- If the APC will be powering 2 cutting wires, the total of the two cutting wires must not exceed 36". The two cutting wires MUST be wired in Series.

Do Not:

- Do not turn the APC on without first turning the Temperature Control to "0".
- Do not use a wire that is shorter than 8" in length.
- Do not touch the leads to each other when the unit is turned on.
- Do not use the APC to heat any wire that is not recommended by Demand.