

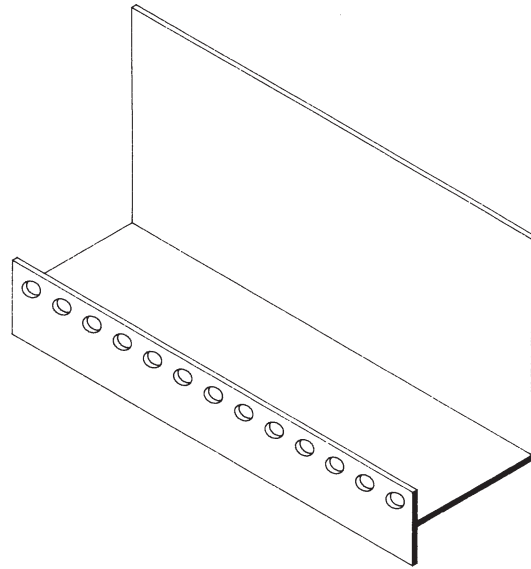
Exterior Insulated Finishes

Section: 07240

CB EIFS Casing Bead with Drip Edge/STARTER TRAC®

Product Number	Dimension A	Pieces Per Box
CB-50-16L	1/2" (13 mm)	60
CB-58-16L	5/8" (16 mm)	60
CB-75-16L	3/4" (19 mm)	40
CB-1-16L	1" (25 mm)	40
CB-15-16L	1-1/2" (38 mm)	35
CB-2-16L	2" (51 mm)	30

Add suffix "WP" to order with weep holes.
Example: CBWP-15-16L- 10' (3 m) Lengths

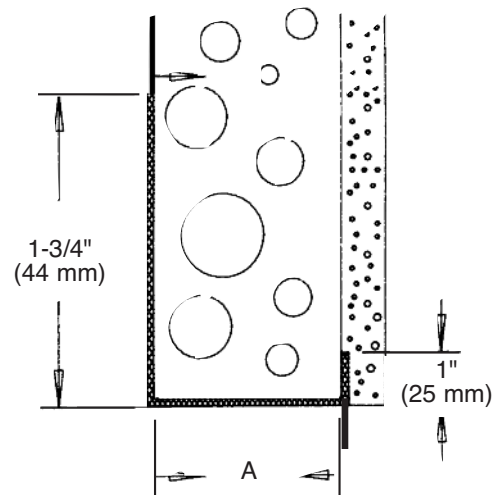


Application:

Acts as a casing bead for the EPS board to sit in. Extended return face flange serves as a drip edge. Provides straight lines. Flange perforations allow ground coat to bond with the EPS board.

Specification:

EIFS Casing Bead/Starter Trac shall be Plastic Components, Inc. #_____. All exterior accessories conform to ASTM standards D1784, C1063 and D4216. They shall be used where specified by the architect and installed per industry standards and manufacturer's instructions.



The base coat mesh should be lapped over the top of the perforated flanges and across all butt joints.

Caulk all butt joints, intersections and ends.