

# Exterior Insulated Finishes

Section: 07240

## CB EIFS Casing Bead

Product Number	Dimension A	Pieces Per Box
<b>CB-50-16</b>	1/2" (13 mm)	60
<b>CB-58-16</b>	5/8" (16 mm)	60
<b>CB-75-16</b>	3/4" (19 mm)	40
<b>CB-1-16</b>	1" (25 mm)	40
<b>CB-15-16</b>	1-1/2" (38 mm)	40
<b>CB-2-16</b>	2" (51 mm)	30

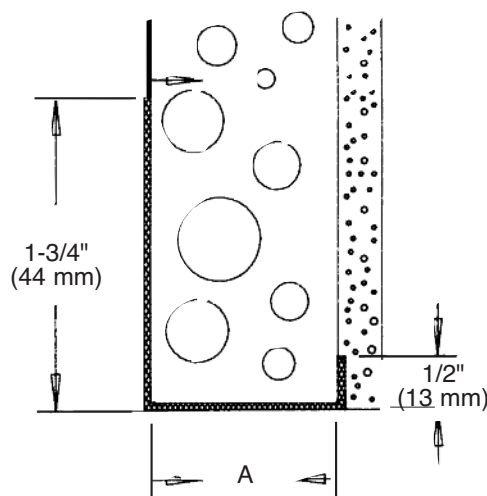
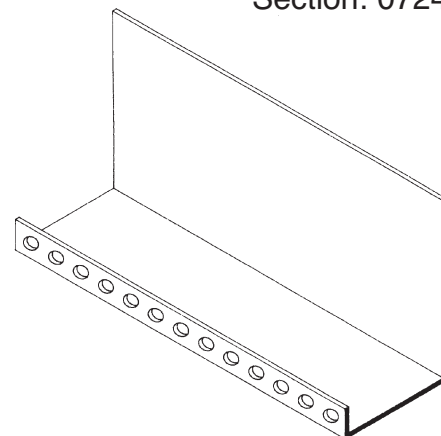
Add suffix "WP" to order with weep holes.  
 Example: CBWP-15-16 – 10' (3 m) Lengths

### Application:

Acts as a casing bead for the EPS foam board. Can be used around windows and doors. Provides a clean straight line. PVC surface allows caulking to adhere. Flange perforations allow ground coat to bond with the EPS foam board. Excellent paint adhesion.

### Specification:

Casing Bead shall be Plastic Components, Inc. #\_\_\_\_\_. All exterior accessories conform to ASTM standards D1784, C1063 and D4216. They shall be used where specified by the architect and installed per industry standards and manufacturer's instructions.



**PLASTIC PC**<sup>TM</sup>  
**COMPONENTS** inc.

*Caulk all butt joints, intersections and ends.*

800.327.7077  
[www.plasticcomponents.com](http://www.plasticcomponents.com)